

WINKEL Product Brochure

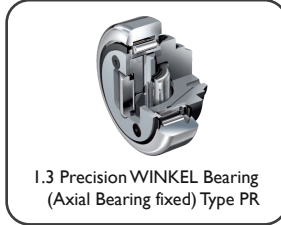
V2021JAN



I.1 Standard NbV U Profile



I.2 WINKEL Bearings (Axial, Fixed)



I.3 Precision WINKEL Bearing (Axial Bearing fixed) Type PR



I.4 High Temperature WINKEL Bearing Type HT



I.5 Axial WINKEL Bearing (Eccentric Adjustable)



I.6 Precision WINKEL Bearings (Axial Bearing Eccentric Adjustable) Type PR



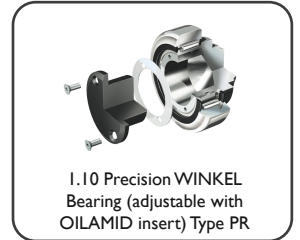
I.7 WINKEL Bearing (axial bearing adjustable by shims)



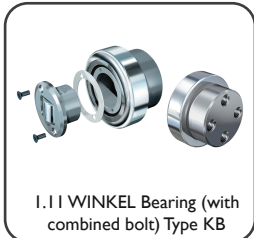
I.8 Precision WINKEL Bearing (axial bearing adjustable by shims) Type PR



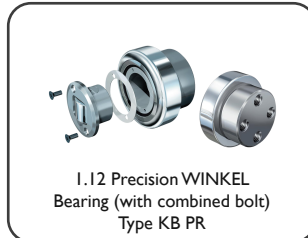
I.9 WINKEL Bearing (adjustable with OILAMID insert)



I.10 Precision WINKEL Bearing (adjustable with OILAMID insert) Type PR



I.11 WINKEL Bearing (with combined bolt) Type KB



I.12 Precision WINKEL Bearing (with combined bolt) Type KB PR



I.13 WINKEL Bearing (with combined bolt and OILAMID insert) Type KB P



I.14 Precision WINKEL Bearing (with combined bolt and OILAMID insert) Type KB PR P



I.15 WINKEL Jumbo Bearing (Axial, Adjustable)



I.16 WINKEL Radial Bearing



I.17 Precision WINKEL Radial Bearing Type PR



I.18 Heavy Duty WINKEL Bearing



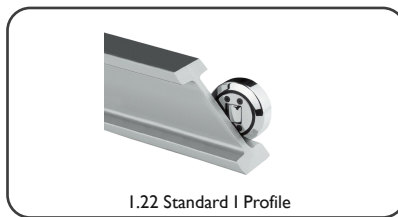
I.19 Precision Heavy Duty WINKEL Bearing



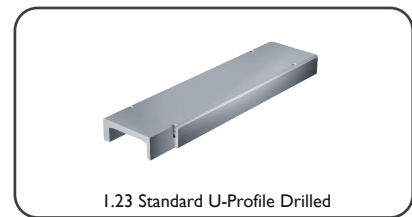
I.20 Adjustable WINKEL Bearing Unit Type JC



I.21 Adjustable WINKEL Bearing Unit Type JT



I.22 Standard I Profile



I.23 Standard U-Profile Drilled



I.24 VULKOLLAN Combined Bearings



I.25 POLYAMIDE WINKEL Bearings



I.26 WINKEL Hose Reel

Winkel GmbH is a Germany based company, currently being managed by Mr. Christian Winkel. Winkel GmbH has been serving the industry for more than 38 years and has been working in the field of linear systems and material handling segment. Winkel GmbH is a market leader in the field of heavy load linear lifting systems and has delivered more than thousands of material handling systems. Winkel GmbH also manufactures the Combined Bearings and U Shaped Profiles which are widely used in Material Handling Systems for vertical or horizontal movement.

Table of contents

1.1 Standard NbV U Profile	1.1	1.13 WINKEL Bearing (with combined bolt and OILAMID insert) Type KB P	1.13
1.2 WINKEL Bearings (Axial, Fixed)	1.2	1.14 Precision WINKEL Bearing (with combined bolt and OILAMID insert) Type KB PR P	1.14
1.3 Precision WINKEL Bearing (Axial Bearing fixed) Type PR	1.3	1.15 WINKEL Jumbo Bearing (Axial, Adjustable)	1.15
1.4 High Temperature WINKEL Bearing Type HT	1.4	1.16 WINKEL Radial Bearing	1.16
1.5 Axial WINKEL Bearing (Eccentric Adjustable)	1.5	1.17 Precision WINKEL Radial Bearing Type PR	1.17
1.6 Precision WINKEL Bearings (Axial Bearing Eccentric Adjustable) Type PR	1.6	1.18 Heavy Duty WINKEL Bearing	1.18
1.7 WINKEL Bearing (axial bearing adjustable by shims)	1.7	1.19 Precision Heavy Duty WINKEL Bearing	1.19
1.8 Precision WINKEL Bearing (axial bearing adjustable by shims) Type PR	1.8	1.20 Adjustable WINKEL Bearing Unit Type JC	1.20
1.9 WINKEL Bearing (adjustable with OILAMID insert)	1.9	1.21 Adjustable WINKEL Bearing Unit Type JT	1.21
1.10 Precision WINKEL Bearing (adjustable with OILAMID insert) Type PR	1.10	1.22 Standard I Profile	1.22
1.11 WINKEL Bearing (with combined bolt) Type KB	1.11	1.23 Standard U-Profile Drilled	1.23
1.12 Precision WINKEL Bearing (with combined bolt) Type KB PR	1.12	1.24 VULKOLLAN Combined Bearings	1.24
		1.26 POLYAMIDE WINKEL Bearings	1.25
		1.27 WINKEL Hose Reel	1.26

1.1 Standard NbV U Profile

Winkel U Shaped Profiles are made from high quality hot rolled steel S450 J2 Mod, in sandblasted version, which are suitable for Winkel Bearings. The Standard Lengths of Profiles are 6 Mts or 12 Mts. Standard profiles straightened $\pm 1,0$ mm/m. The Making of Profiles can be done upon request.



Selection Parameters

Parameters	Min	Max
Inner Width	40.5 mm	88.4 mm
Outer Width	86.7 mm	185.1 mm
Length	-	12 m

Industries it caters to

- Automobile
- Cement
- Conveyor Equipment
- Wood, Paper, Steel and Glass Industry
- General Machine Building
- Special Engineering
- Petrochemicals & Refinery
- Material Handling
- Metals - Steel & Aluminium
- Packing Machines

Product application

- AVG'S - Automatic Guided Vehicle
- Automatic Bagging & Palletising Machine
- Ingot Casting Machine
- Conveyor Line
- Annealing & Pickling
- Ladle Crane
- Cold Rolled Mill
- Hot Strip Mill
- Blast Furnace
- Transfer Line
- Desma Rubber Moulding m/c
- Saw Casting Machine
- Kikhoff Trolley (Furnace Application)
- PTC Stacker (Pack Transfer Car Trolley)

1.2 WINKEL Bearings (Axial, Fixed)

Winkel Combined Bearings (axial bearing fixed), are designed by a team of experts and they are designed based on full complement cylindrical rollers that are lubricated for a lifetime for one shift and unsteady operations. The working temperature of WINKEL Combined Bearings is -20 °C up to + 80 °C. WINKEL Bearings are lubricated with the grease of grade 3 (For Example Shell Gadus S2V100 3).



Selection Parameters

Parameters	Min	Max
Outer Diameter	52.5 mm	149 mm
Roller Width	15 mm	50 mm
Total Width	33 mm	77.5 mm
Radial Bearing Load Capacity	5.23 KN	59.20 KN
Axial bearing Load Capacity	1.68 KN	18.50 KN

Industries it caters to

- Automobile
- Cement
- Conveyor Equipment
- Wood, Paper, Steel and Glass Industry
- General Machine Building
- Special Engineering
- Petrochemicals & Refinery
- Material Handling
- Metals - Steel & Aluminium
- Packing Machines

Product application

- AVG'S - Automatic Guided Vehicle
- Automatic Bagging & Palletising Machine
- Ingot Casting Machine
- Conveyor Line
- Annealing & Pickling
- Ladle Crane
- Cold Rolled Mill
- Hot Strip Mill
- Blast Furnace
- Transfer Line
- Desma Rubber Moulding m/c
- Saw Casting Machine
- Kikhoff Trolley (Furnace Application)
- PTC Stacker (Pack Transfer Car Trolley)

1.3 Precision WINKEL Bearing (Axial Bearing fixed) Type PR

Precision Winkel Combined Bearings (Axial Bearing fixed) Type PR, are designed by a team of experts and they are designed based on full complement cylindrical rollers that are lubricated for a lifetime for one shift and unsteady operations. The working temperature of WINKEL Combined Bearings is -20 °C up to +80 °C. WINKEL Bearings are lubricated with the grease of grade 3 (For Example Shell Gadus S2 VI00 3).

Selection Parameters

Parameters	Min	Max
Outer Diameter	64.8 mm	153.8 mm
Roller Width	20 mm	50 mm
Total Width	37.5 mm	77.5 mm
Radial Bearing Load Capacity	10.30 KN	59.20 KN
Axial bearing Load Capacity	3.20 KN	18.50 KN



Industries it caters to

- Automobile
- Cement
- Conveyor Equipment
- Wood, Paper, Steel and Glass Industry
- General Machine Building
- Special Engineering
- Petrochemicals & Refinery
- Material Handling
- Metals - Steel & Aluminium
- Packing Machines

Product application

- AVG'S - Automatic Guided Vehicle
- Automatic Bagging & Palletising Machine
- Ingot Casting Machine
- Conveyor Line
- Annealing & Pickling
- Ladle Crane
- Cold Rolled Mill
- Hot Strip Mill
- Blast Furnace
- Transfer Line
- Desma Rubber Moulding m/c
- Saw Casting Machine
- Kikhoff Trolley (Furnace Application)
- PTC Stacker (Pack Transfer Car Trolley)

1.4 High Temperature WINKEL Bearing Type HT

High Temperature Winkel Combined Bearings, are designed by a team of experts and they are designed based on full complement cylindrical rollers that are lubricated for a lifetime for one shift and unsteady operations. The working temperature of WINKEL High Temperature Combined Bearings is up to +250° C.

Selection Parameters

Parameters	Min	Max
Outer Diameter	52.5 mm	149 mm
Roller Width	15 mm	50 mm
Total Width	33 mm	77.5 mm
Radial Bearing Load Capacity	5.23 KN	59.20 KN
Axial bearing Load Capacity	1.68 KN	18.50 KN



Industries it caters to

- Automobile
- Cement
- Conveyor Equipment
- Wood, Paper, Steel and Glass Industry
- General Machine Building
- Special Engineering
- Petrochemicals & Refinery
- Material Handling
- Metals - Steel & Aluminium
- Packing Machines

Product application

- AVG'S - Automatic Guided Vehicle
- Automatic Bagging & Palletising Machine
- Ingot Casting Machine
- Conveyor Line
- Annealing & Pickling
- Ladle Crane
- Cold Rolled Mill
- Hot Strip Mill
- Blast Furnace
- Transfer Line
- Desma Rubber Moulding m/c
- Saw Casting Machine
- Kikhoff Trolley (Furnace Application)
- PTC Stacker (Pack Transfer Car Trolley)

1.5 Axial WINKEL Bearing (Eccentric Adjustable)

Winkel Combined Bearings (Axial Bearing eccentric adjustable), are designed by a team of experts and they are designed based on full complement cylindrical rollers that are lubricated for a lifetime for one shift and unsteady operations. The working temperature of WINKEL Combined Bearings is -20 °C up to +80 °C. WINKEL Bearings are lubricated with the grease of grade 3 (For Example Shell Gadus S2 V100

Selection Parameters

Parameters	Min	Max
Outer Diameter	62.5 mm	149.4 mm
Roller Width	20 mm	34 mm
Total Width	37.5-39.0 mm	77.5-81.5 mm
Radial Bearing Load Capacity	10.30 KN	59.20 KN
Axial bearing Load Capacity	3.20 KN	18.50 KN



Industries it caters to

- Automobile
- Cement
- Conveyor Equipment
- Wood, Paper, Steel and Glass Industry
- General Machine Building
- Special Engineering
- Petrochemicals & Refinery
- Material Handling
- Metals - Steel & Aluminium
- Packing Machines

Product application

- AVG'S - Automatic Guided Vehicle
- Automatic Bagging & Palletising Machine
- Ingot Casting Machine
- Conveyor Line
- Annealing & Pickling
- Ladle Crane
- Cold Rolled Mill
- Hot Strip Mill
- Blast Furnace
- Transfer Line
- Desma Rubber Moulding m/c
- Saw Casting Machine
- Kikhoff Trolley (Furnace Application)
- PTC Stacker (Pack Transfer Car Trolley)

1.6 Precision WINKEL Bearings (Axial Bearing Eccentric Adjustable) Type PR

Precision Winkel Combined Bearings (Axial Bearing eccentric adjustable) Type PR, are designed by a team of experts and they are designed based on full complement cylindrical rollers which are lubricated for a lifetime for one shift and unsteady operations. The working temperature of WINKEL Combined Bearings is -20 °C up to +80 °C. WINKEL Bearings are lubricated with the grease of grade 3 (For Example Shell Gadus S2 V100 3).

Selection Parameters

Parameters	Min	Max
Outer Diameter	64.8 mm	184.8 mm
Roller Width	20 mm	60 mm
Total Width	37.5-39.0 mm	95.5-98.7 mm
Radial Bearing Load Capacity	10.30 KN	91.80 KN
Axial bearing Load Capacity	3.20 KN	23.70 KN



Industries it caters to

- Automobile
- Cement
- Conveyor Equipment
- Wood, Paper, Steel and Glass Industry
- General Machine Building
- Special Engineering
- Petrochemicals & Refinery
- Material Handling
- Metals - Steel & Aluminium
- Packing Machines

Product application

- AVG'S - Automatic Guided Vehicle
- Automatic Bagging & Palletising Machine
- Ingot Casting Machine
- Conveyor Line
- Annealing & Pickling
- Ladle Crane
- Cold Rolled Mill
- Hot Strip Mill
- Blast Furnace
- Transfer Line
- Desma Rubber Moulding m/c
- Saw Casting Machine
- Kikhoff Trolley (Furnace Application)
- PTC Stacker (Pack Transfer Car Trolley)

1.7 WINKEL Bearing (axial bearing adjustable by shims)

Winkel Combined Bearings (axial bearing adjustable by shims) are designed by a team of experts and they are designed based on full complement cylindrical rollers that are lubricated for a lifetime for one shift and unsteady operations. The working temperature of WINKEL Combined Bearings is -20 °C up to +80 °C. WINKEL Bearings are lubricated with the grease of grade 3 (For Example Shell Gadus S2V100 3).



Selection Parameters

Parameters	Min	Max
Outer Diameter	62.5 mm	149 mm
Roller Width	16 mm	50 mm
Total Width	43 mm	88 mm
Radial Bearing Load Capacity	10.30 KN	39.50 KN
Axial bearing Load Capacity	3.20 KN	18.50 KN

Industries it caters to

- Automobile
- Cement
- Conveyor Equipment
- Wood, Paper, Steel and Glass Industry
- General Machine Building
- Special Engineering
- Petrochemicals & Refinery
- Material Handling
- Metals - Steel & Aluminium
- Packing Machines

Product application

- AVG'S - Automatic Guided Vehicle
- Automatic Bagging & Palletising Machine
- Ingot Casting Machine
- Conveyor Line
- Annealing & Pickling
- Ladle Crane
- Cold Rolled Mill
- Hot Strip Mill
- Blast Furnace
- Transfer Line
- Desma Rubber Moulding m/c
- Saw Casting Machine
- Kikhoff Trolley (Furnace Application)
- PTC Stacker (Pack Transfer Car Trolley)

1.8 Precision WINKEL Bearing (axial bearing adjustable by shims) Type PR

Precision Winkel Combined Bearings (axial bearing adjustable by shims) Type PR, are designed by a team of experts and they are designed based on full complement cylindrical rollers that are lubricated for a lifetime for one shift and unsteady operations. The working temperature of WINKEL Combined Bearings is -20 °C up to +80 °C. WINKEL Bearings are lubricated with the grease of grade 3 (For Example Shell Gadus S2 V100 3).

Selection Parameters

Parameters	Min	Max
Outer Diameter	64.8 mm	149 mm
Roller Width	16 mm	50 mm
Total Width	43 mm	88 mm
Radial Bearing Load Capacity	10.30 KN	39.50 KN
Axial bearing Load Capacity	3.20 KN	18.50 KN



Industries it caters to

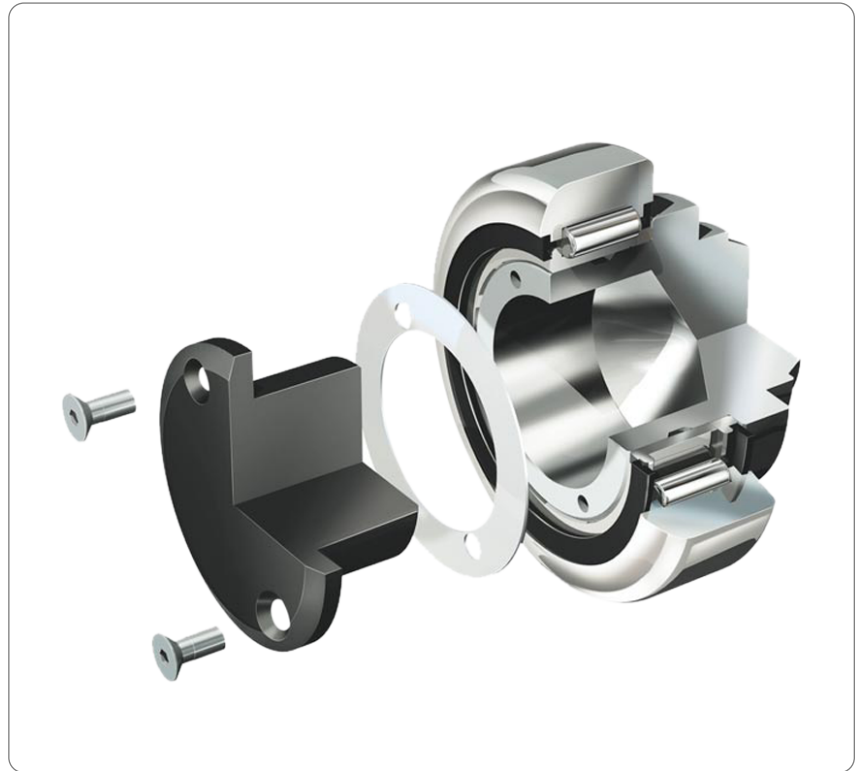
- Automobile
- Cement
- Conveyor Equipment
- Wood, Paper, Steel and Glass Industry
- General Machine Building
- Special Engineering
- Petrochemicals & Refinery
- Material Handling
- Metals - Steel & Aluminium
- Packing Machines

Product application

- AVG'S - Automatic Guided Vehicle
- Automatic Bagging & Palletising Machine
- Ingot Casting Machine
- Conveyor Line
- Annealing & Pickling
- Ladle Crane
- Cold Rolled Mill
- Hot Strip Mill
- Blast Furnace
- Transfer Line
- Desma Rubber Moulding m/c
- Saw Casting Machine
- Kikhoff Trolley (Furnace Application)
- PTC Stacker (Pack Transfer Car Trolley)

1.9 WINKEL Bearing (adjustable with OILAMID insert)

Winkel Combined Bearings (adjustable with OILAMID insert), are designed by a team of experts and they are designed based on full complement cylindrical rollers that are lubricated for a lifetime for one shift and unsteady operations. The working temperature of WINKEL Combined Bearings is -20 °C up to +80 °C. WINKEL Bearings are lubricated with the grease of grade 3 (For Example Shell Gadus S2V100 3).



Selection Parameters

Parameters	Min	Max
Outer Diameter	40 mm	180 mm
Roller Width	20 mm	112 mm
Total Width	25 mm	99.2 mm
Radial Bearing Load Capacity	1 KN	91.80 KN
Axial bearing Load Capacity	3.1 KN	41.6 KN

Industries it caters to

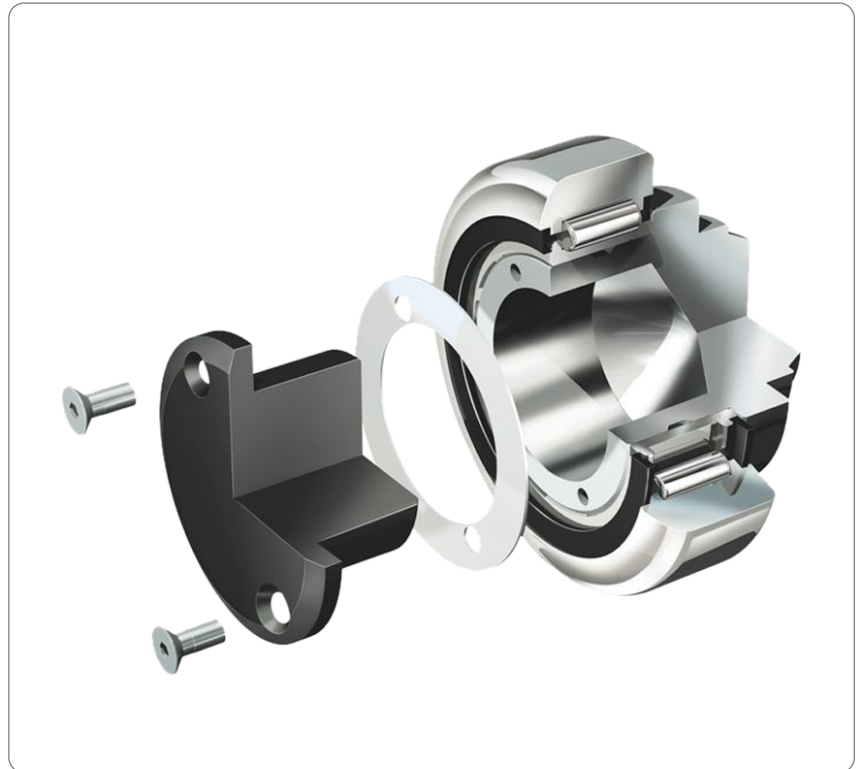
- Automobile
- Cement
- Conveyor Equipment
- Wood, Paper, Steel and Glass Industry
- General Machine Building
- Special Engineering
- Petrochemicals & Refinery
- Material Handling
- Metals - Steel & Aluminium
- Packing Machines

Product application

- AVG'S - Automatic Guided Vehicle
- Automatic Bagging & Palletising Machine
- Ingot Casting Machine
- Conveyor Line
- Annealing & Pickling
- Ladle Crane
- Cold Rolled Mill
- Hot Strip Mill
- Blast Furnace
- Transfer Line
- Desma Rubber Moulding m/c
- Saw Casting Machine
- Kikhoff Trolley (Furnace Application)
- PTC Stacker (Pack Transfer Car Trolley)

1.10 Precision WINKEL Bearing (adjustable with OILAMID insert) Type PR

Precision Winkel Combined Bearings (adjustable with OILAMID insert) Type PR, are designed by a team of experts and they are designed based on full complement cylindrical rollers which are lubricated for a lifetime for one shift and unsteady operations. The working temperature of WINKEL Combined Bearings is -20 °C up to +80 °C. WINKEL Bearings are lubricated with the grease of grade 3 (For Example Shell Gadus S2V100 3).



Selection Parameters

Parameters	Min	Max
Outer Diameter	64.8 mm	184.8 mm
Roller Width	25 mm	112 mm
Total Width	43 mm	99.2 mm
Radial Bearing Load Capacity	10.30 KN	91.80 KN
Axial bearing Load Capacity	4 KN	41.6 KN

Industries it caters to

- Automobile
- Cement
- Conveyor Equipment
- Wood, Paper, Steel and Glass Industry
- General Machine Building
- Special Engineering
- Petrochemicals & Refinery
- Material Handling
- Metals - Steel & Aluminium
- Packing Machines

Product application

- AVG'S - Automatic Guided Vehicle
- Automatic Bagging & Palletising Machine
- Ingot Casting Machine
- Conveyor Line
- Annealing & Pickling
- Ladle Crane
- Cold Rolled Mill
- Hot Strip Mill
- Blast Furnace
- Transfer Line
- Desma Rubber Moulding m/c
- Saw Casting Machine
- Kikhoff Trolley (Furnace Application)
- PTC Stacker (Pack Transfer Car Trolley)

1.11 WINKEL Bearing (with combined bolt) Type KB

Winkel Combined Bearings (with combined bolt and OILAMID Insert) Type KB, are designed by a team of experts and they are designed based on full complement cylindrical rollers that are lubricated for a lifetime for one shift and unsteady operations. The working temperature of WINKEL Combined Bearings is -20 °C up to +80 °C. WINKEL Bearings are lubricated with the grease of grade 3 (For Example Shell Gadus S2 V100 3).

Selection Parameters

Parameters	Min	Max
Outer Diameter	62.5 mm	149 mm
Roller Width	30 mm	80 mm
Total Width	43 mm	89 mm
Radial Bearing Load Capacity	10.30 KN	39.50 KN
Axial bearing Load Capacity	3.20 KN	18.50 KN



Industries it caters to

- Automobile
- Cement
- Conveyor Equipment
- Wood, Paper, Steel and Glass Industry
- General Machine Building
- Special Engineering
- Petrochemicals & Refinery
- Material Handling
- Metals - Steel & Aluminium
- Packing Machines

Product application

- AVG'S - Automatic Guided Vehicle
- Automatic Bagging & Palletising Machine
- Ingot Casting Machine
- Conveyor Line
- Annealing & Pickling
- Ladle Crane
- Cold Rolled Mill
- Hot Strip Mill
- Blast Furnace
- Transfer Line
- Desma Rubber Moulding m/c
- Saw Casting Machine
- Kikhoff Trolley (Furnace Application)
- PTC Stacker (Pack Transfer Car Trolley)

1.12 Precision WINKEL Bearing (with combined bolt) Type KB PR

Precision Winkel Combined Bearings (with combined bolt) Type KB PR, are designed by a team of experts and they are designed based on full complement cylindrical rollers which are lubricated for a lifetime for one shift and unsteady operations. The working temperature of WINKEL Combined Bearings is -20 °C up to +80 °C. WINKEL Bearings are lubricated with grease grade 3 (For Example Shell Gadus S2V100 3).



Selection Parameters

Parameters	Min	Max
Outer Diameter	64.8 mm	153.8 mm
Roller Width	30 mm	80 mm
Total Width	43 mm	89 mm
Radial Bearing Load Capacity	10.30 KN	39.50 KN
Axial bearing Load Capacity	3.20 KN	18.50 KN

Industries it caters to

- Automobile
- Cement
- Conveyor Equipment
- Wood, Paper, Steel and Glass Industry
- General Machine Building
- Special Engineering
- Petrochemicals & Refinery
- Material Handling
- Metals - Steel & Aluminium
- Packing Machines

Product application

- AVG'S - Automatic Guided Vehicle
- Automatic Bagging & Palletising Machine
- Ingot Casting Machine
- Conveyor Line
- Annealing & Pickling
- Ladle Crane
- Cold Rolled Mill
- Hot Strip Mill
- Blast Furnace
- Transfer Line
- Desma Rubber Moulding m/c
- Saw Casting Machine
- Kikhoff Trolley (Furnace Application)
- PTC Stacker (Pack Transfer Car Trolley)

1.13 WINKEL Bearing (with combined bolt and OILAMID insert) Type KB P

Precision Winkel Combined Bearings (with combined bolt and OILAMID insert) Type KB P, are designed by a team of experts and they are designed based on full complement cylindrical rollers which are lubricated for a lifetime for one shift and unsteady operations. The working temperature of WINKEL Combined Bearings is -20 °C up to +80 °C. WINKEL Bearings are lubricated with the grease of grade 3 (For Example Shell Gadus S2V100 3).



Selection Parameters

Parameters	Min	Max
Outer Diameter	62.5 mm	149 mm
Roller Width	30 mm	80 mm
Total Width	43 mm	82 mm
Radial Bearing Load Capacity	10.30 KN	59.20 KN
Axial bearing Load Capacity	4 KN	41.6 KN

Industries it caters to

- Automobile
- Cement
- Conveyor Equipment
- Wood, Paper, Steel and Glass Industry
- General Machine Building
- Special Engineering
- Petrochemicals & Refinery
- Material Handling
- Metals - Steel & Aluminium
- Packing Machines

Product application

- AVG'S - Automatic Guided Vehicle
- Automatic Bagging & Palletising Machine
- Ingot Casting Machine
- Conveyor Line
- Annealing & Pickling
- Ladle Crane
- Cold Rolled Mill
- Hot Strip Mill
- Blast Furnace
- Transfer Line
- Desma Rubber Moulding m/c
- Saw Casting Machine
- Kikhoff Trolley (Furnace Application)
- PTC Stacker (Pack Transfer Car Trolley)

1.14 Precision WINKEL Bearing (with combined bolt and OILAMID insert) Type KB PR P

Precision Winkel Combined Bearings (with combined bolt and OILAMID insert) Type KB PR P, are designed by a team of experts and they are designed based on full complement cylindrical rollers which are lubricated for a lifetime for one shift and unsteady operations. The working temperature of WINKEL Combined Bearings is -20 °C up to +80 °C. WINKEL Bearings are lubricated with the grease of grade 3 (For Example Shell Gadus S2 VI00 3).



Selection Parameters

Parameters	Min	Max
Outer Diameter	64.8 mm	153.8 mm
Roller Width	30 mm	80 mm
Total Width	43 mm	82 mm
Radial Bearing Load Capacity	10.30 KN	59.20 KN
Axial bearing Load Capacity	3 KN	41.6 KN

Industries it caters to

- Automobile
- Cement
- Conveyor Equipment
- Wood, Paper, Steel and Glass Industry
- General Machine Building
- Special Engineering
- Petrochemicals & Refinery
- Material Handling
- Metals - Steel & Aluminium
- Packing Machines

Product application

- AVG'S - Automatic Guided Vehicle
- Automatic Bagging & Palletising Machine
- Ingot Casting Machine
- Conveyor Line
- Annealing & Pickling
- Ladle Crane
- Cold Rolled Mill
- Hot Strip Mill
- Blast Furnace
- Transfer Line
- Desma Rubber Moulding m/c
- Saw Casting Machine
- Kikhoff Trolley (Furnace Application)
- PTC Stacker (Pack Transfer Car Trolley)

1.15 WINKEL Jumbo Bearing (Axial, Adjustable)

JUMBO Winkel Combined Bearings (Axial bearing adjustable), are designed by a team of experts and they are designed based on full complement cylindrical rollers that are lubricated for a lifetime for one shift and unsteady operations. The working temperature of WINKEL Combined Bearings is -20 °C up to +80 °C. WINKEL Bearings are lubricated with the grease of grade 3 (For Example Shell Gadus S2 V100 3).

Selection Parameters

Parameters	Min	Max
Outer Diameter	180 mm	320 mm
Roller Width	60 mm	90 mm
Total Width	95.7-98.7 mm	135-139 mm
Radial Bearing Load Capacity	91.80 KN	192 KN
Axial bearing Load Capacity	23.70 KN	57.70 KN



Industries it caters to

- Automobile
- Cement
- Conveyor Equipment
- Wood, Paper, Steel and Glass Industry
- General Machine Building
- Special Engineering
- Petrochemicals & Refinery
- Material Handling
- Metals - Steel & Aluminium
- Packing Machines

Product application

- AVG'S - Automatic Guided Vehicle
- Automatic Bagging & Palletising Machine
- Ingot Casting Machine
- Conveyor Line
- Annealing & Pickling
- Ladle Crane
- Cold Rolled Mill
- Hot Strip Mill
- Blast Furnace
- Transfer Line
- Desma Rubber Moulding m/c
- Saw Casting Machine
- Kikhoff Trolley (Furnace Application)
- PTC Stacker (Pack Transfer Car Trolley)

1.16 WINKEL Radial Bearing

Radial Winkel Combined Bearings, are designed by a team of experts and they are designed based on full complement cylindrical rollers which are lubricated for a lifetime for one shift and unsteady operations. The working temperature of WINKEL Combined Bearings is -20 °C up to +80 °C. WINKEL Bearings are lubricated with the grease of grade 3 (For Example Shell Gadus S2VI00 3).

Selection Parameters

Parameters	Min	Max
Outer Diameter	62.5 mm	149 mm
Total Width	34.5 mm	73.0 mm
Radial Bearing Load	10.30 KN	59.20 KN



Industries it caters to

- Automobile
- Cement
- Conveyor Equipment
- Wood, Paper, Steel and Glass Industry
- General Machine Building
- Special Engineering
- Petrochemicals & Refinery
- Material Handling
- Metals - Steel & Aluminium
- Packing Machines

Product application

- AVG'S - Automatic Guided Vehicle
- Automatic Bagging & Palletising Machine
- Ingot Casting Machine
- Conveyor Line
- Annealing & Pickling
- Ladle Crane
- Cold Rolled Mill
- Hot Strip Mill
- Blast Furnace
- Transfer Line
- Desma Rubber Moulding m/c
- Saw Casting Machine
- Kikhoff Trolley (Furnace Application)
- PTC Stacker (Pack Transfer Car Trolley)

1.17 Precision WINKEL Radial Bearing Type PR

Precision Radial Winkel Combined Bearings Type PR, are designed by a team of experts and they are designed based on full complement cylindrical rollers that are lubricated for a lifetime for one shift and unsteady operations. The working temperature of WINKEL Combined Bearings is -20 °C up to +80 °C. WINKEL Bearings are lubricated with the grease of grade 3 (For Example Shell Gadus S2 V100 3).

Selection Parameters

Parameters	Min	Max
Outer Diameter	64.8 mm	153.8 mm
Total Width	34.5 mm	73.0 mm
Radial Bearing Load	10.30 KN	59.20 KN



Industries it caters to

- Automobile
- Cement
- Conveyor Equipment
- Wood, Paper, Steel and Glass Industry
- General Machine Building
- Special Engineering
- Petrochemicals & Refinery
- Material Handling
- Metals - Steel & Aluminium
- Packing Machines

Product application

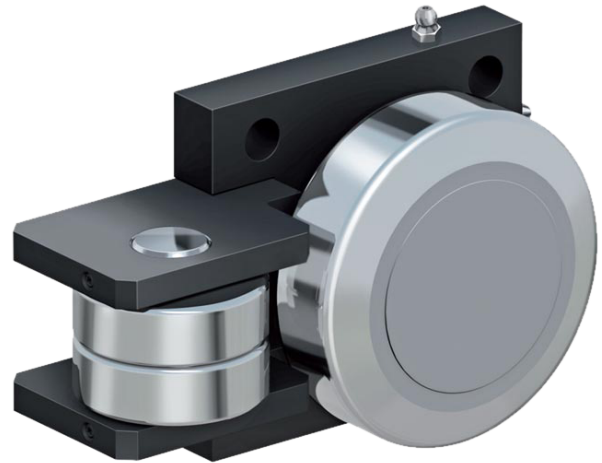
- AVG'S - Automatic Guided Vehicle
- Automatic Bagging & Palletising Machine
- Ingot Casting Machine
- Conveyor Line
- Annealing & Pickling
- Ladle Crane
- Cold Rolled Mill
- Hot Strip Mill
- Blast Furnace
- Transfer Line
- Desma Rubber Moulding m/c
- Saw Casting Machine
- Kikhoff Trolley (Furnace Application)
- PTC Stacker (Pack Transfer Car Trolley)

1.18 Heavy Duty WINKEL Bearing

Heavy Duty Winkel Combined Bearings, are designed by a team of experts and they are designed based on full complement cylindrical rollers that are lubricated for a lifetime for one shift and unsteady operations. The working temperature of WINKEL Combined Bearings is -20 °C up to +80 °C. WINKEL Bearings are lubricated with the grease of grade 3 (For Example Shell Gadus S2V100 3).

Selection Parameters

Parameters	Min	Max
Outer Diameter	62.5 mm	149 mm
Roller Width	60 mm	150 mm
Total Width	118 mm	265 mm
Radial Bearing Load Capacity	10.30 KN	59.20 KN
Axial bearing Load Capacity	3.20 KN	18.50 KN



Industries it caters to

- Automobile
- Cement
- Conveyor Equipment
- Wood, Paper, Steel and Glass Industry
- General Machine Building
- Special Engineering
- Petrochemicals & Refinery
- Material Handling
- Metals - Steel & Aluminium
- Packing Machines

Product application

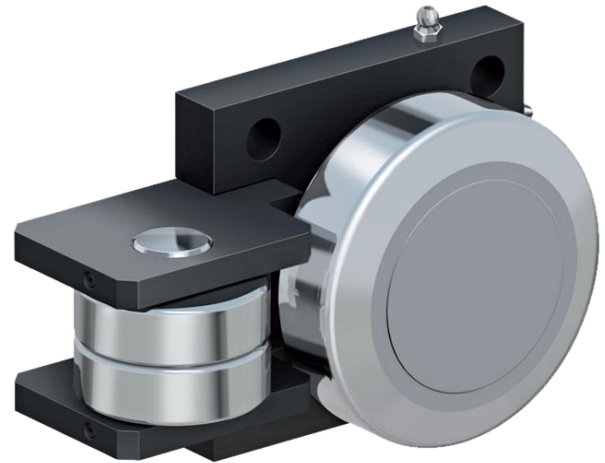
- AVG'S - Automatic Guided Vehicle
- Automatic Bagging & Palletising Machine
- Ingot Casting Machine
- Conveyor Line
- Annealing & Pickling
- Ladle Crane
- Cold Rolled Mill
- Hot Strip Mill
- Blast Furnace
- Transfer Line
- Desma Rubber Moulding m/c
- Saw Casting Machine
- Kikhoff Trolley (Furnace Application)
- PTC Stacker (Pack Transfer Car Trolley)

1.19 Precision Heavy Duty WINKEL Bearing

Precision Heavy Duty Winkel Combined Bearings, are designed by a team of experts and they are designed based on full complement cylindrical rollers that are lubricated for a lifetime for one shift and unsteady operations. The working temperature of WINKEL Combined Bearings is -20 °C up to +80 °C. WINKEL Bearings are lubricated with grease grade 3 (For Example Shell Gadus S2V100 3).

Selection Parameters

Parameters	Min	Max
Outer Diameter	64.8 mm	153.8 mm
Roller Width	60 mm	150 mm
Total Width	118 mm	265 mm
Radial Bearing Load Capacity	10.30 KN	59.20 KN
Axial bearing Load Capacity	3.20 KN	18.50 KN



Industries it caters to

- Automobile
- Cement
- Conveyor Equipment
- Wood, Paper, Steel and Glass Industry
- General Machine Building
- Special Engineering
- Petrochemicals & Refinery
- Material Handling
- Metals - Steel & Aluminium
- Packing Machines

Product application

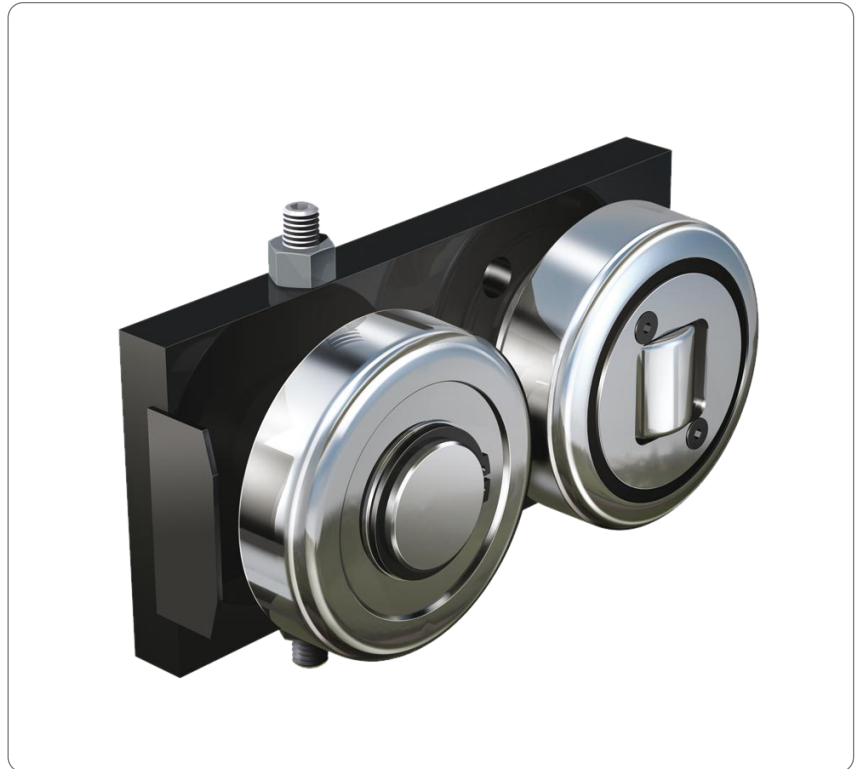
- AVG'S - Automatic Guided Vehicle
- Automatic Bagging & Palletising Machine
- Ingot Casting Machine
- Conveyor Line
- Annealing & Pickling
- Ladle Crane
- Cold Rolled Mill
- Hot Strip Mill
- Blast Furnace
- Transfer Line
- Desma Rubber Moulding m/c
- Saw Casting Machine
- Kikhoff Trolley (Furnace Application)
- PTC Stacker (Pack Transfer Car Trolley)

1.20 Adjustable WINKEL Bearing Unit Type JC

Adjustable Winkel Combined Bearings JC Type, are designed by a team of experts and they are designed based on full complement cylindrical rollers that are lubricated for a lifetime for one shift and unsteady operations. The working temperature of WINKEL Combined Bearings is -20 °C up to +80 °C. WINKEL Bearings are lubricated with the grease of grade 3 (For Example Shell Gadus S2V100 3).

Selection Parameters

Parameters	Min	Max
Outer Diameter	62.4 mm	101.6 mm
Roller Width	62.5 mm	149 mm
Total Width	60 mm	150 mm
Radial Bearing Load Capacity	140 mm	265 mm
Axial bearing Load Capacity	10.30 KN	59.20 KN



Industries it caters to

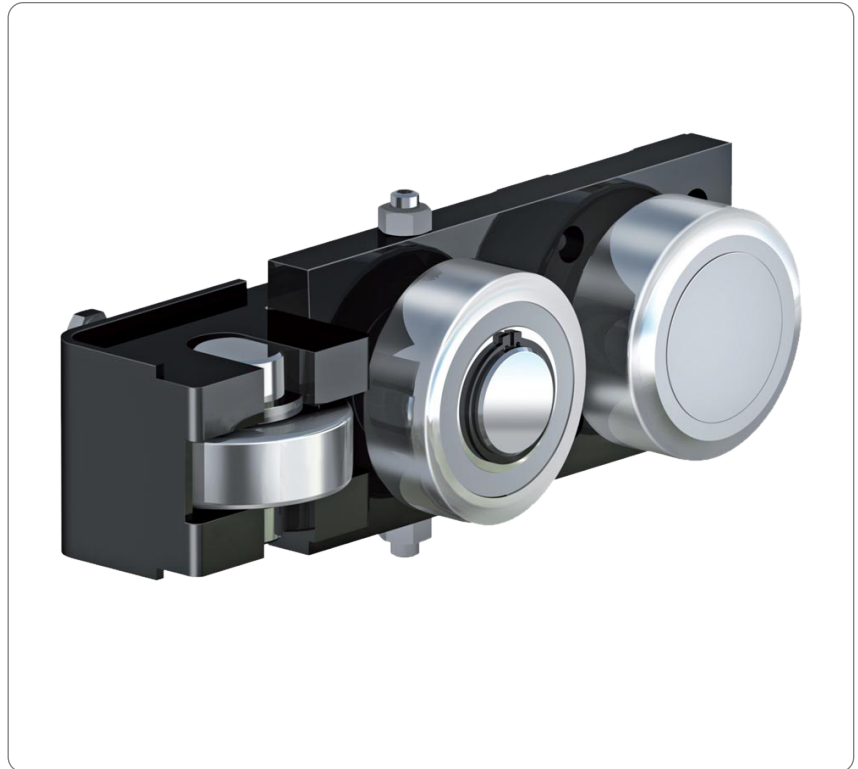
- Automobile
- Cement
- Conveyor Equipment
- Wood, Paper, Steel and Glass Industry
- General Machine Building
- Special Engineering
- Petrochemicals & Refinery
- Material Handling
- Metals - Steel & Aluminium
- Packing Machines

Product application

- AVG'S - Automatic Guided Vehicle
- Automatic Bagging & Palletising Machine
- Ingot Casting Machine
- Conveyor Line
- Annealing & Pickling
- Ladle Crane
- Cold Rolled Mill
- Hot Strip Mill
- Blast Furnace
- Transfer Line
- Desma Rubber Moulding m/c
- Saw Casting Machine
- Kikhoff Trolley (Furnace Application)
- PTC Stacker (Pack Transfer Car Trolley)

1.21 Adjustable WINKEL Bearing Unit Type JT

Adjustable Winkel Combined Bearings JT Type, are designed by a team of experts and they are designed based on full complement cylindrical rollers that are lubricated for a lifetime for one shift and unsteady operations. The working temperature of WINKEL Combined Bearings is -20 °C up to +80 °C. WINKEL Bearings are lubricated with the grease of grade 3 (For Example Shell Gadus S2V100 3).



Selection Parameters

Parameters	Min	Max
Outer Diameter	70.1 mm	88.4 mm
Radial Bearing Load	12.40 KN	22.40 KN
Capacity	4.2 KN	7.4 KN

Industries it caters to

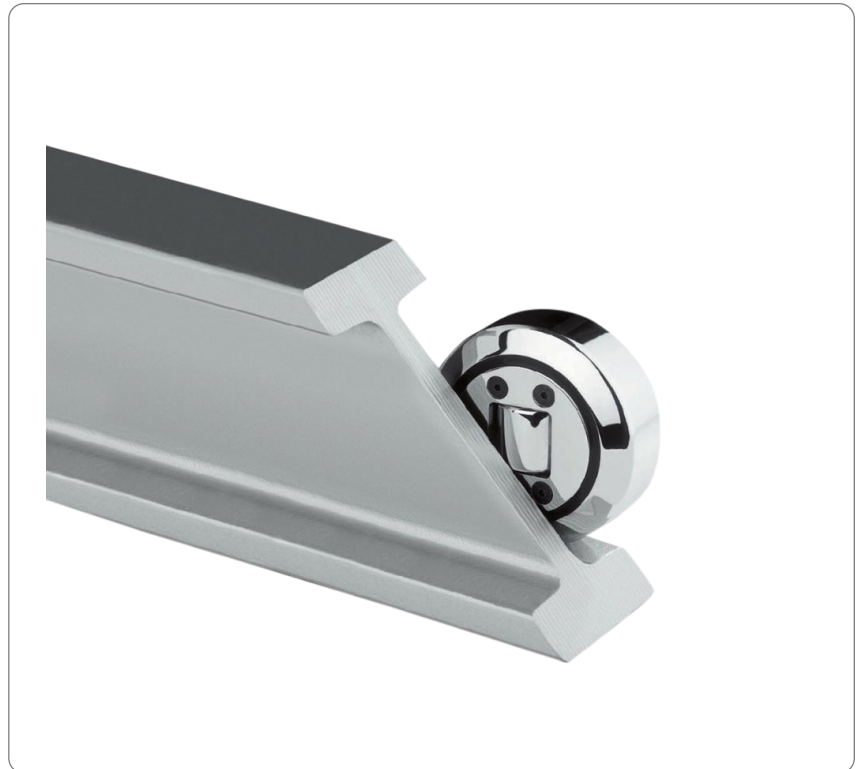
- Automobile
- Cement
- Conveyor Equipment
- Wood, Paper, Steel and Glass Industry
- General Machine Building
- Special Engineering
- Petrochemicals & Refinery
- Material Handling
- Metals - Steel & Aluminium
- Packing Machines

Product application

- AVG'S - Automatic Guided Vehicle
- Automatic Bagging & Palletising Machine
- Ingot Casting Machine
- Conveyor Line
- Annealing & Pickling
- Ladle Crane
- Cold Rolled Mill
- Hot Strip Mill
- Blast Furnace
- Transfer Line
- Desma Rubber Moulding m/c
- Saw Casting Machine
- Kikhoff Trolley (Furnace Application)
- PTC Stacker (Pack Transfer Car Trolley)

1.22 Standard I Profile

Winkel, I Shaped Profiles are made from high quality hot rolled steel S450 J2 Mod, in sandblasted version, which is suitable for Winkel Bearings. The Standard Lengths of Profiles are 6 Mts or 12 Mts. The Making of Profiles can be done upon request.



Selection Parameters

Parameters	Min	Max
Inner Width	70.2 mm	123.8 mm
Outer Width	98 mm	175 mm
Length	-	12 m

Industries it caters to

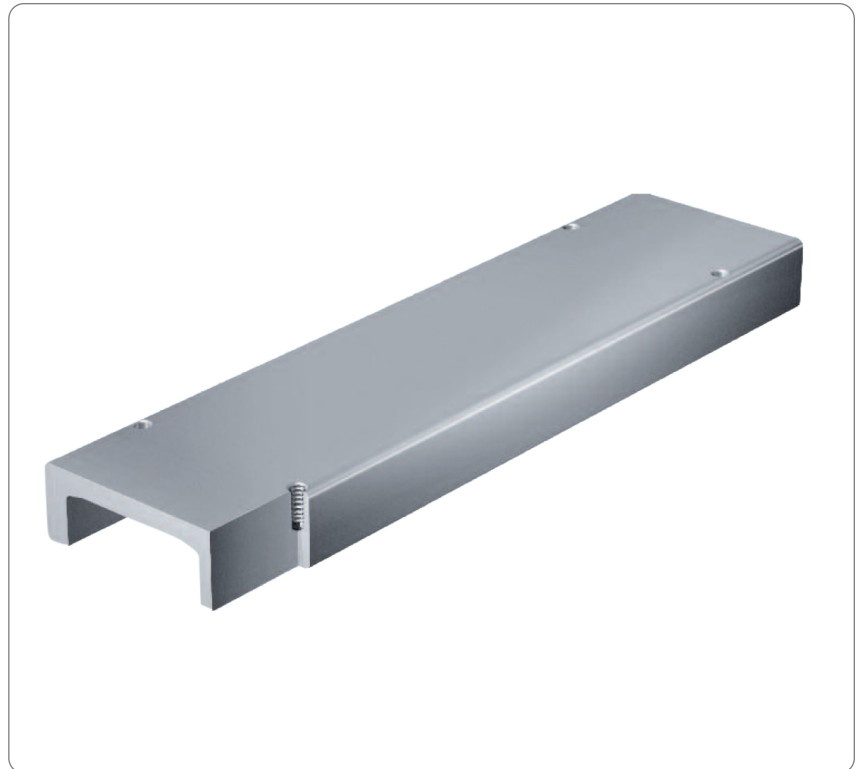
- Automobile
- Cement
- Conveyor Equipment
- Wood, Paper, Steel and Glass Industry
- General Machine Building
- Special Engineering
- Petrochemicals & Refinery
- Material Handling
- Metals - Steel & Aluminium
- Packing Machines

Product application

- AVG'S - Automatic Guided Vehicle
- Automatic Bagging & Palletising Machine
- Ingot Casting Machine
- Conveyor Line
- Annealing & Pickling
- Ladle Crane
- Cold Rolled Mill
- Hot Strip Mill
- Blast Furnace
- Transfer Line
- Desma Rubber Moulding m/c
- Saw Casting Machine
- Kikhoff Trolley (Furnace Application)
- PTC Stacker (Pack Transfer Car Trolley)

1.23 Standard U-Profile Drilled

Winkel drilled U-Profiles are ready to mount profiles for Winkel Bearings. These are fine straightened and are available upto maximum length of 12 meter.



Selection Parameters

Parameters	Min	Max
Inner Width	62.7 mm	181.1 mm
Outer Width	86.7 mm	252.5 mm
Length	-	12 m

Industries it caters to

- Automobile
- Cement
- Conveyor Equipment
- Wood, Paper, Steel and Glass Industry
- General Machine Building
- Special Engineering
- Petrochemicals & Refinery
- Material Handling
- Metals - Steel & Aluminium
- Packing Machines

Product application

- AVG'S - Automatic Guided Vehicle
- Automatic Bagging & Palletising Machine
- Ingot Casting Machine
- Conveyor Line
- Annealing & Pickling
- Ladle Crane
- Cold Rolled Mill
- Hot Strip Mill
- Blast Furnace
- Transfer Line
- Desma Rubber Moulding m/c
- Saw Casting Machine
- Kikhoff Trolley (Furnace Application)
- PTC Stacker (Pack Transfer Car Trolley)

1.24 VULKOLLAN Combined Bearings

VULKOLLAN® Winkel Bearings, are lubricated for lifetime and it is operational at the max. speed 6 m/s are designed by a team of experts. Stainless steel version are available upon request.

Selection Parameters

Parameters	Min	Max
Outer Diameter	50 mm	179.2 mm
Inner Diameter	12 mm	40 mm
Total Width	30 mm	50 mm
Load Capacity	1000 N	10000 N



Industries it caters to

- Automobile
- Cement
- Conveyor Equipment
- Wood, Paper, Steel and Glass Industry
- General Machine Building
- Special Engineering
- Petrochemicals & Refinery
- Material Handling
- Metals - Steel & Aluminium
- Packing Machines

Product application

- AVG'S - Automatic Guided Vehicle
- Automatic Bagging & Palletising Machine
- Ingot Casting Machine
- Conveyor Line
- Annealing & Pickling
- Ladle Crane
- Cold Rolled Mill
- Hot Strip Mill
- Blast Furnace
- Transfer Line
- Desma Rubber Moulding m/c
- Saw Casting Machine
- Kikhoff Trolley (Furnace Application)
- PTC Stacker (Pack Transfer Car Trolley)

1.25 POLYAMIDE WINKEL Bearings

POLYAMIDE Winkel Bearings, are lubricated for a lifetime and it is operational at the max. speed 6 m/s are designed by a team of experts. Stainless steel versions are available upon request.

Selection Parameters

Parameters	Min	Max
Outer Diameter	50 mm	200 mm
Inner Diameter	12 mm	55 mm
Total Width	30 mm	80 mm
Load Capacity	1300 N	25000 N



Industries it caters to

- Automobile
- Cement
- Conveyor Equipment
- Wood, Paper, Steel and Glass Industry
- General Machine Building
- Special Engineering
- Petrochemicals & Refinery
- Material Handling
- Metals - Steel & Aluminium
- Packing Machines

Product application

- AVG'S - Automatic Guided Vehicle
- Automatic Bagging & Palletising Machine
- Ingot Casting Machine
- Conveyor Line
- Annealing & Pickling
- Ladle Crane
- Cold Rolled Mill
- Hot Strip Mill
- Blast Furnace
- Transfer Line
- Desma Rubber Moulding m/c
- Saw Casting Machine
- Kikhoff Trolley (Furnace Application)
- PTC Stacker (Pack Transfer Car Trolley)

1.26 WINKEL Hose Reel

For our products, we use stretch- and pulse-resistant thermoplastically welded hoses as well as other materials. Two-port hoses of this type are uniformly connected along their entire length. Our portfolio contains hoses of different lengths and nominal diameters.

Selection Parameters

Parameters	Min	Max
Max Working Pressure		700 bar
Max Current Voltage		400V



Industries it caters to

- Automobile
- Cement
- Conveyor Equipment
- Wood, Paper, Steel and Glass Industry
- General Machine Building
- Special Engineering
- Petrochemicals & Refinery
- Material Handling
- Metals - Steel & Aluminium
- Packing Machines

Product application

- AVG'S - Automatic Guided Vehicle
- Automatic Bagging & Palletising Machine
- Ingot Casting Machine
- Conveyor Line
- Annealing & Pickling
- Ladle Crane
- Cold Rolled Mill
- Hot Strip Mill
- Blast Furnace
- Transfer Line
- Desma Rubber Moulding m/c
- Saw Casting Machine
- Kikhoff Trolley (Furnace Application)
- PTC Stacker (Pack Transfer Car Trolley)